

NO. 7,324,855 - 11/20/11

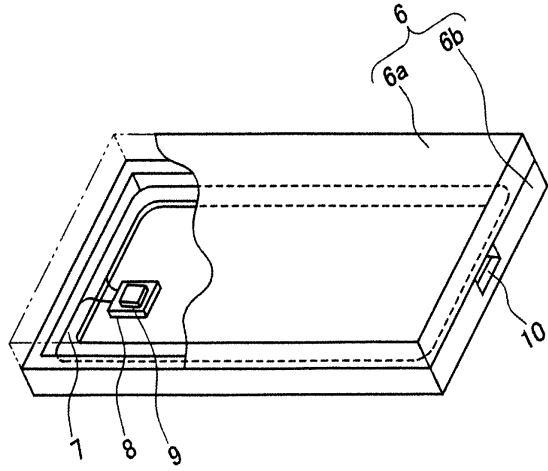


FIG. 1

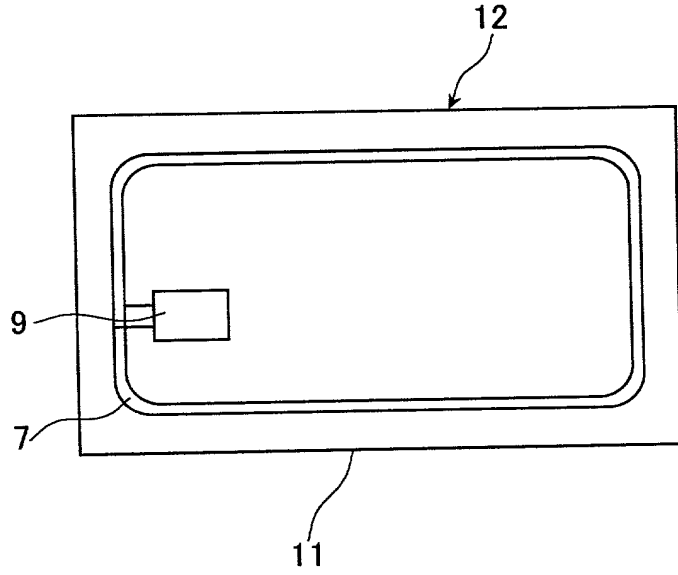


FIG. 2

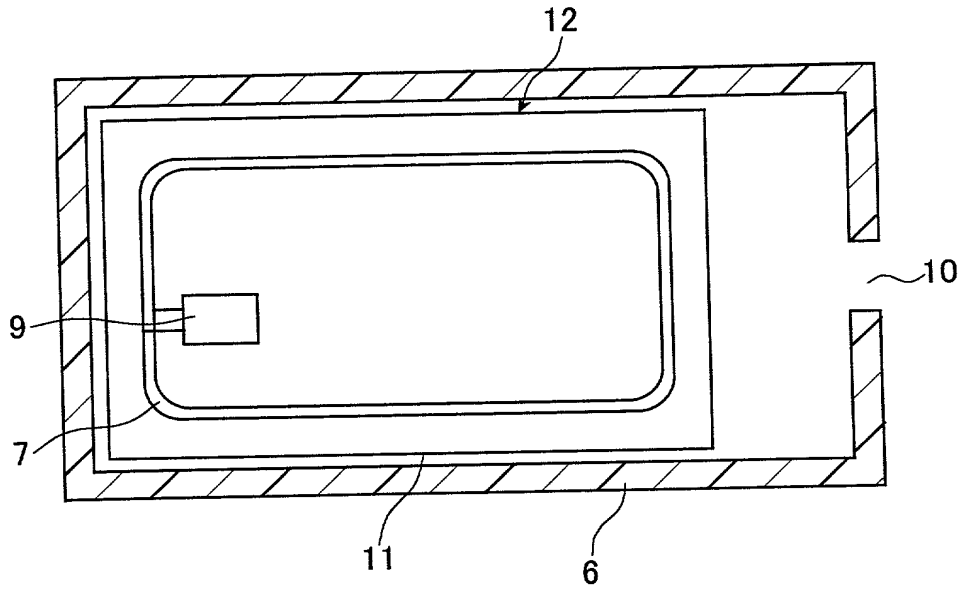


FIG. 3

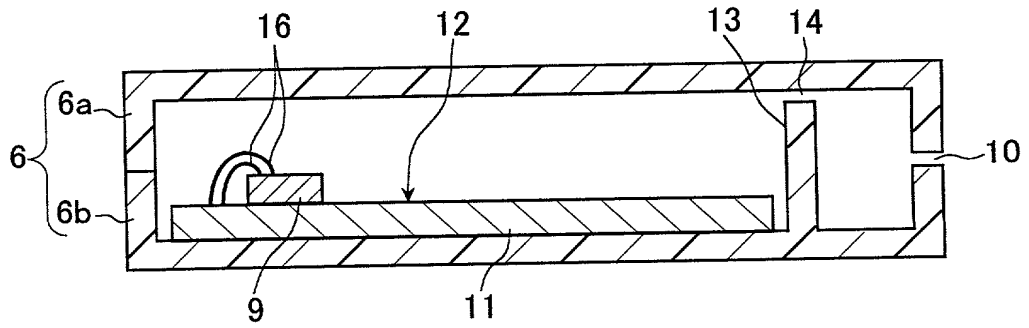


FIG. 4A

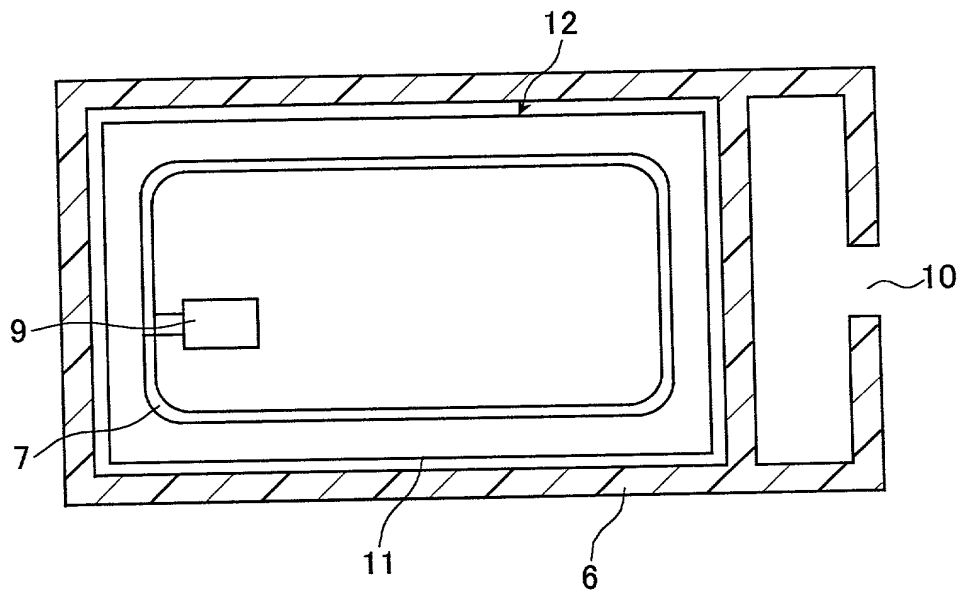


FIG. 4B

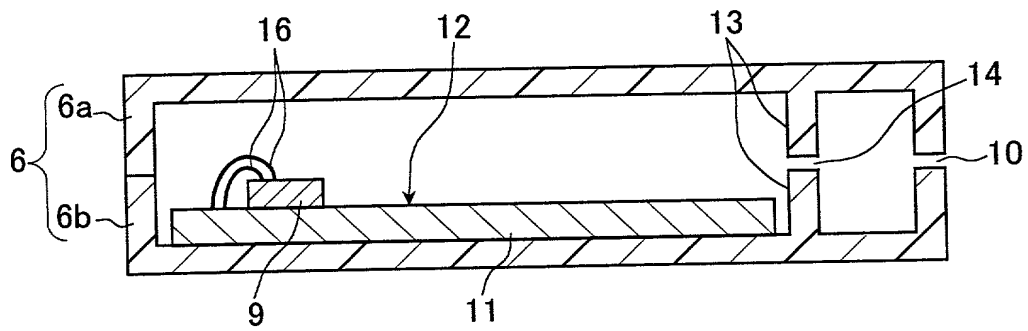


FIG. 5A

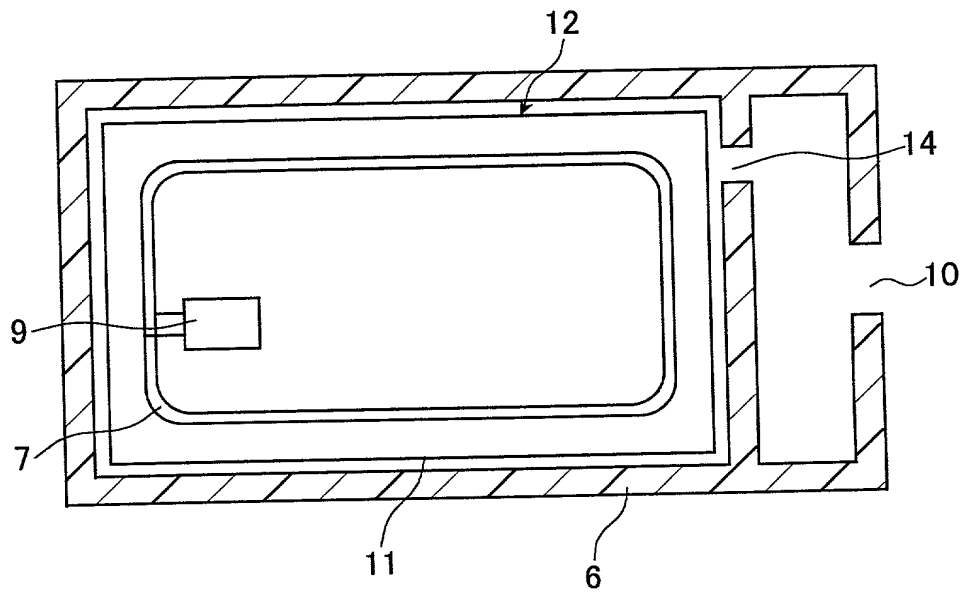


FIG. 5B

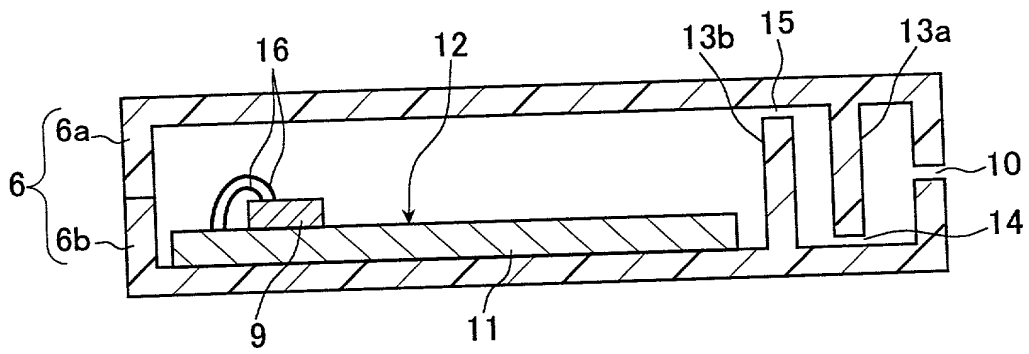


FIG. 6

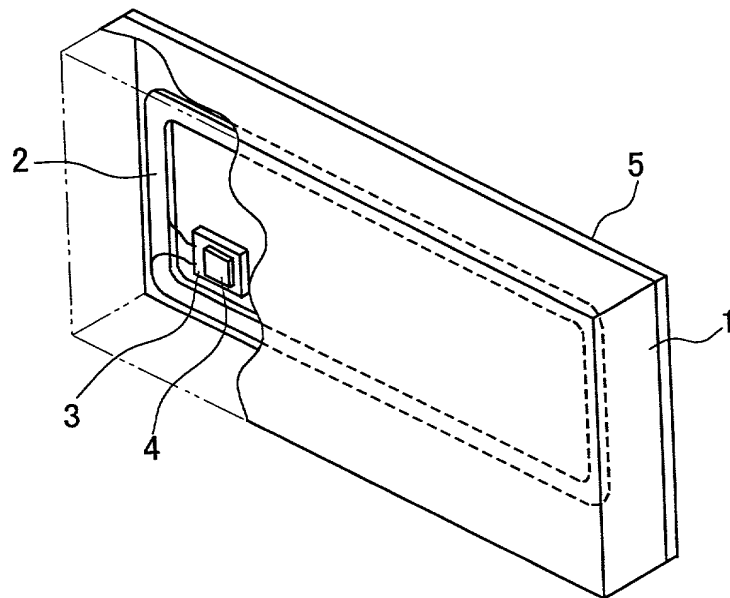


FIG. 7 PRIOR ART

FIG. 6 is a cross-sectional view of a device assembly. FIG. 7 is a perspective view of a prior art device.